

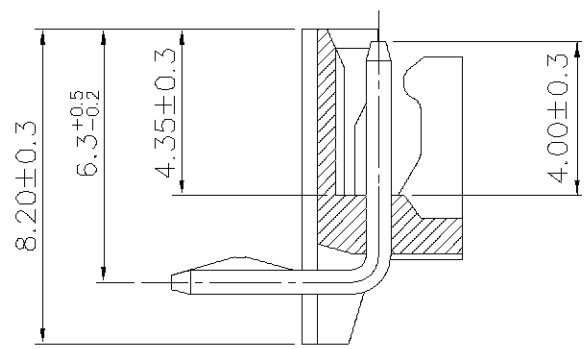
NUMBER
C-440053

3RD ANGLE PROJECTION

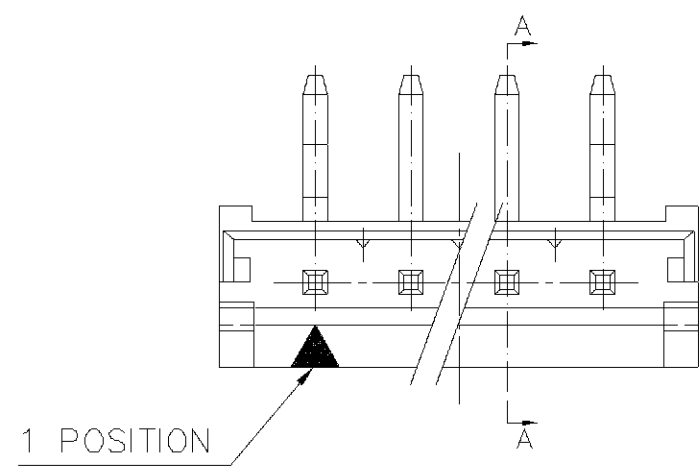
METRIC

THIS INFORMATION IS CONFIDENTIAL AND IS DISCLOSED TO YOU ON CONDITION THAT NO FURTHER DISCLOSURE IS MADE BY YOU TO OTHER THAN AMP PERSONNEL WITHOUT WRITTEN AUTHORIZATION FROM AMP (TAIWAN) LTD. DIMENSION IN MILLIMETERS. DO NOT SCALE PRINT.

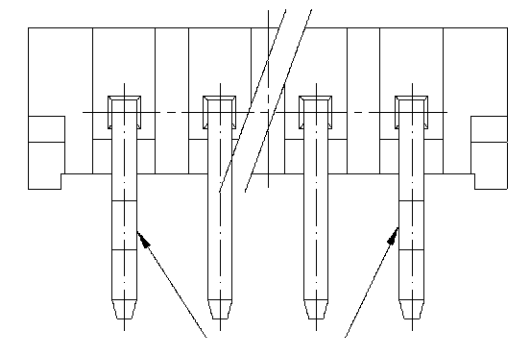
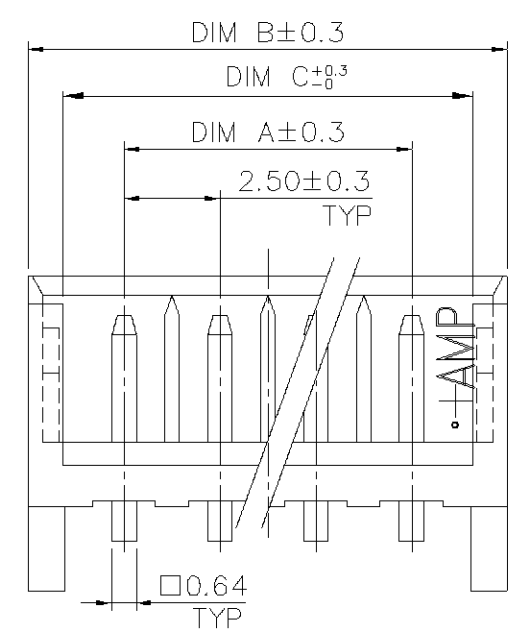
PRINT
DW



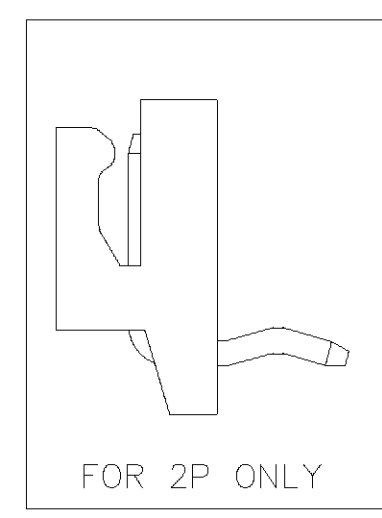
SEC. A-A



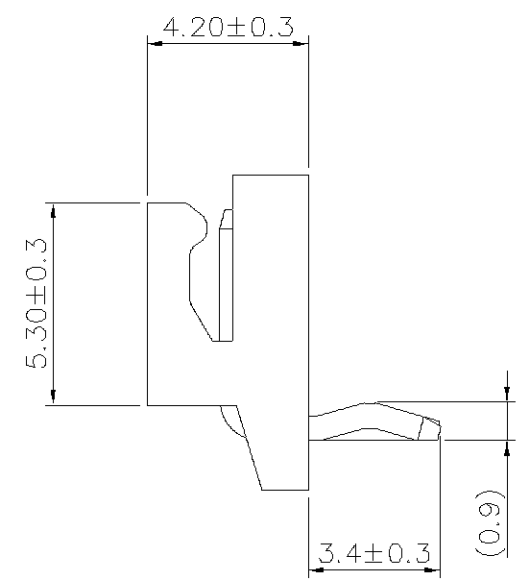
1 POSITION



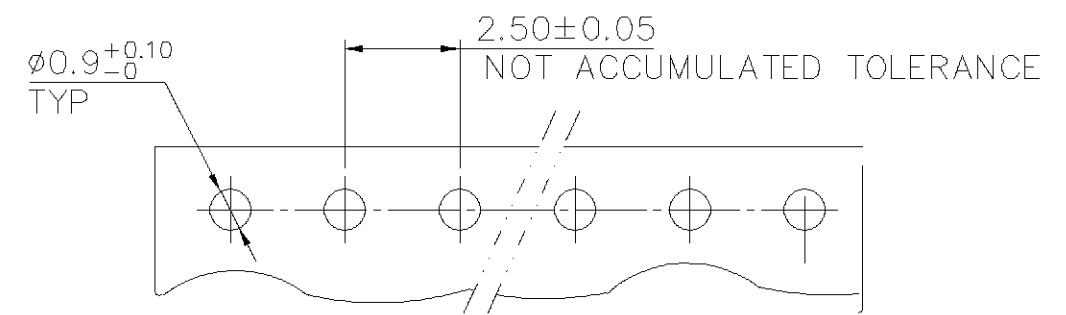
KINKING FORMING
2PLC



FOR 2P ONLY



FOR 3P TO 15P



RECOMMENDED PCB LAYOUT
(PCB THK=1.0~1.6)

- NOTE:
- MATERIAL: POST: BRASS TIN-PLATED
HOUSING: NYLON 66 UL 94V-0
 - WHEN EXTRACTING RECEPTACLE HOUSING FROM HEADER, NOT WIRE BUT RECEPTACLE HOUSING SHOULD BE GRIPED IN ORDER TO AVOID THE WIRE BREAKAGE.

38.2	40.0	35.00	15P	1-440053-5
35.7	37.5	32.50	14P	1-440053-4
33.2	35.0	30.00	13P	1-440053-3
30.7	32.5	27.50	12P	1-440053-2
28.2	30.0	25.00	11P	1-440053-1
25.7	27.5	22.50	10P	1-440053-0
23.2	25.0	20.00	9P	440053-9
20.7	22.5	17.50	8P	440053-8
18.2	20.0	15.00	7P	440053-7
15.7	17.5	12.50	6P	440053-6
13.2	15.0	10.00	5P	440053-5
10.7	12.5	7.50	4P	440053-4
8.2	10.0	5.00	3P	440053-3
5.7	7.5	2.50	2P	440053-2
DIM C	DIM B	DIM A	CIRCUITS	PATR NO.

DIMENSION :	0 PLC ±	DR. A. WU 31-JAN-2001	AMP INCORPORATED. IPO
	1 PLC ±		
MATERIAL	2 PLC ±	CHK. J. CHENG 31-JAN-2001	NAME
	3 PLC ±		
SEE NOTE	ANGLES ±	APP. J. WU 31-JAN-2001	2.5 MM PITCH HPI RIGHT-ANGLE POST HEADERS.
FINISH		PRODUCT SPEC 108-57099	LOC SIZE DRAWING NO DW A ₃ C-440053
	SEE NOTE	APPLICATION SPEC	
		WEIGHT	SCALE SHEET -- 1 OF 1

A	REVISED	FW00-0011-00	AW/JC	14DEC 2000
O	FIRST RELEASED	FW00-0059-00	AW/JC	24AUG 2000
LTR	REVISION RECORD	ECN	DR/CHK	DATE